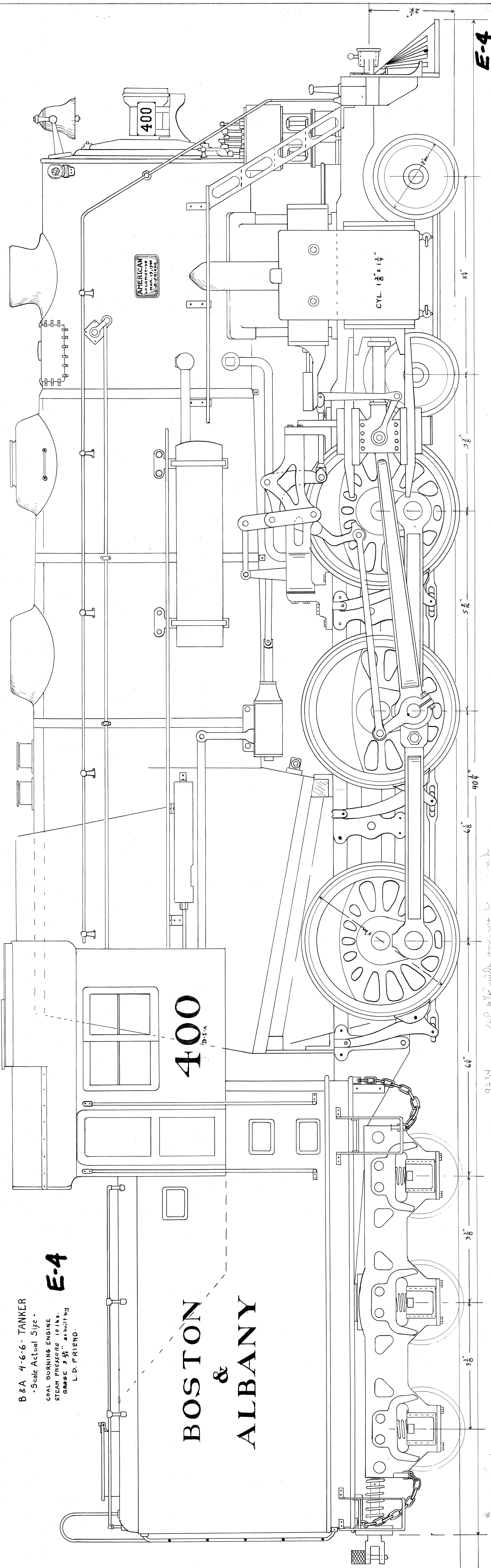


B & A 4-6-6 TANKER
 - Scale Actual Size -
 COAL BURNING ENGINE
 STEAM PRESSURE 10 lbs.
 GAUGE $3\frac{1}{2}$ " as built by
 L. D. FRIEND.

E-4

**BOSTON
 &
 ALBANY**



E-4

9234 1/4" 6 1/2" wide common to each